

NOTE:
Please read all instructions
carefully before using this
product

Table of Contents

Safety Notice

Hardware Pack

Assembly Instruction

Parts List

Warranty

Ordering Parts

Model
SAG-71

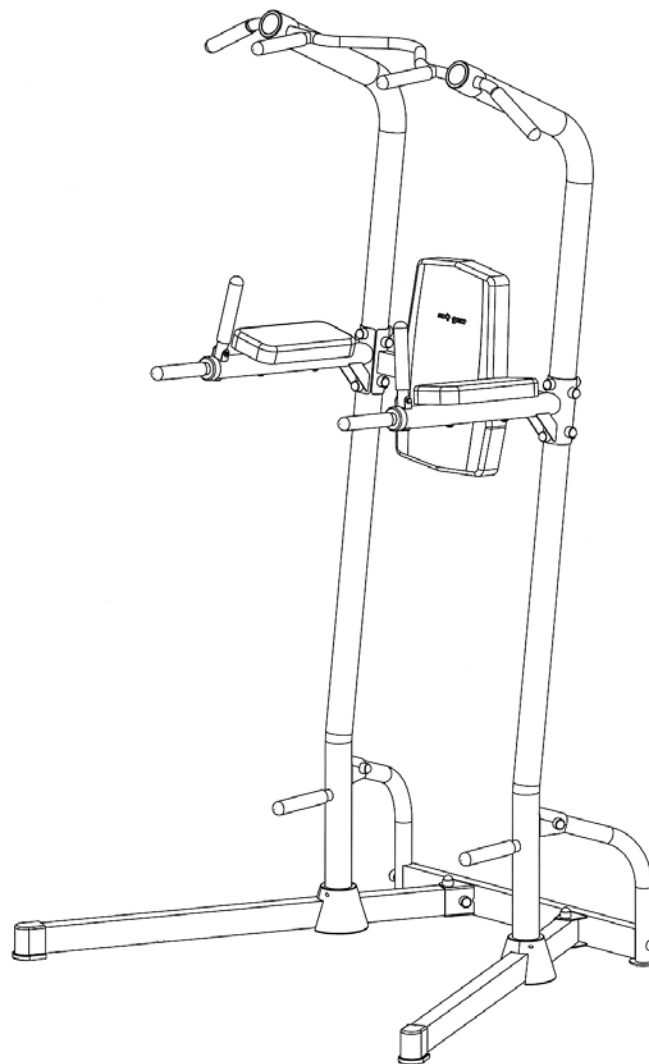
Retain This
Manual for
Reference

100816

OWNER'S
MANUAL

SAG gear™

Deluxe Power Tower SAG-71



IMPEX® INC.

2801 S. Towne Ave., Pomona, CA 91766

Tel: (800) 999-8899 Fax: (626) 961-9966

www.impex-fitness.com

info@impex-fitness.com

TABLE OF CONTENTS

BEFORE YOU BEGIN.....	1
IMPORTANT SAFETY NOTICES.....	2
HARDWARE IDENTIFIER.....	4
ASSEMBLY INSTRUCTIONS.....	6
EXPLODED DIAGRAM.....	11
PARTS LIST.....	12
WARRANTY.....	13
ORDERING PARTS.....	13

BEFORE YOU BEGIN

Thank you for selecting the SA GEAR SAG-71 Power Tower by IMPEX[®] INC. For your safety and benefit, read this manual carefully before using the machine. As the manufacturer, we are committed to provide you complete customer satisfaction. If you have any questions, or find there are missing or damaged parts, we guarantee you complete satisfaction through direct assistance from our factory. To avoid unnecessary delays, *please call our TOLL-FREE customer service number.* Our Customer Service Agents will provide immediate assistance to you.

Toll-Free Customer Service Number
1-800-999-8899
Mon. - Fri. 9 a.m. - 5 p.m. PST
www.impex-fitness.com
info@impex-fitness.com

IMPORTANT SAFETY NOTICE

PRECAUTIONS

This exercise machine is built for optimum safety. However, certain precautions apply whenever you operate a piece of exercise equipment. Be sure to read the entire manual before you assemble or operate your machine. In particular, note the following safety precautions:

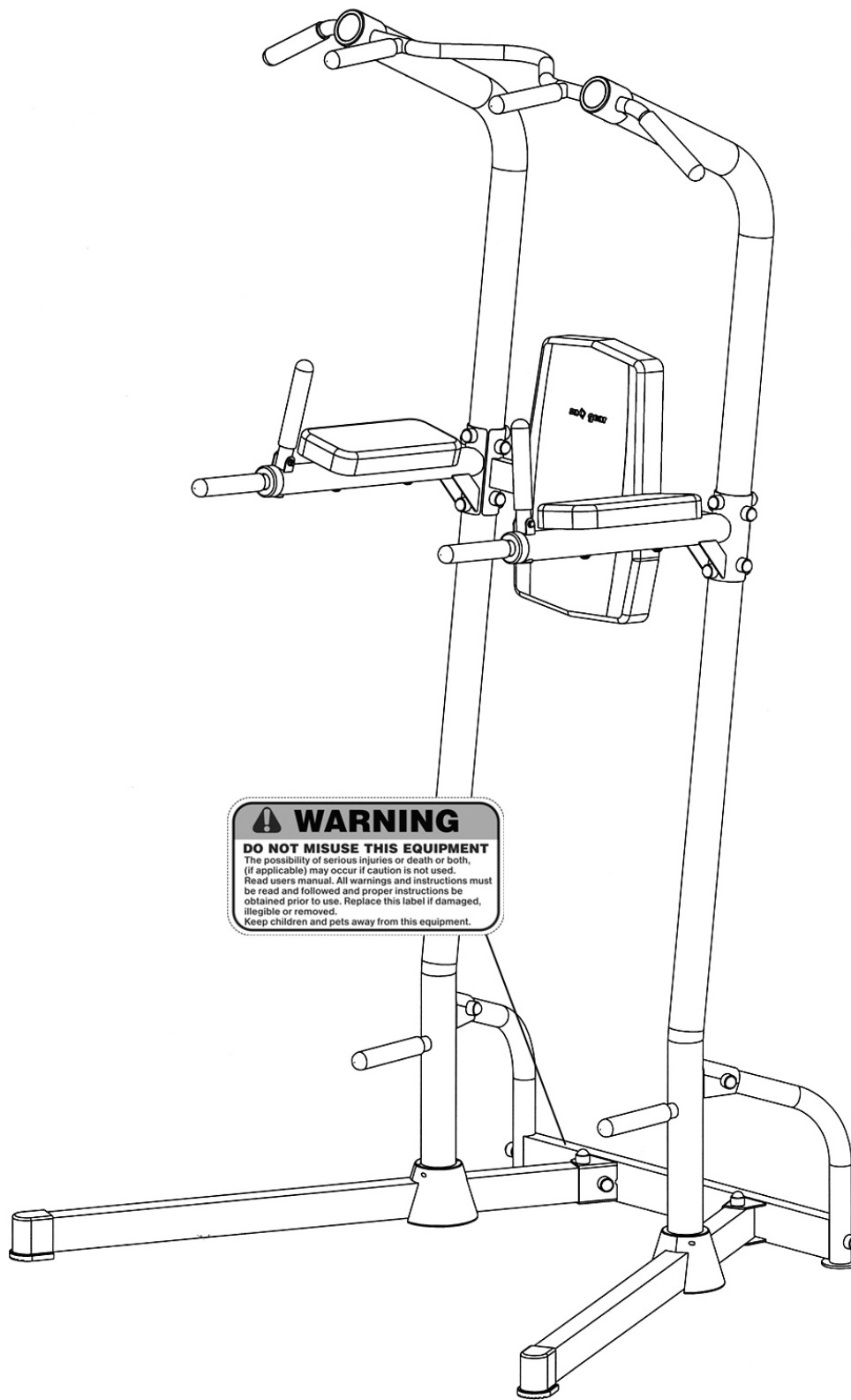
1. **Keep children and pets away from the machine at all times. DO NOT leave children unattended in the same room with the machine.**
2. Only one person at a time should use the machine.
3. If the user experiences dizziness, nausea, chest pain, or any other abnormal symptoms, STOP the workout at once. CONSULT A PHYSICIAN IMMEDIATELY.
4. Position the machine on a clear, leveled surface. DO NOT use the machine near water or outdoors.
5. Keep hands and feet away from all moving parts.
6. Always wear appropriate workout clothing when exercising. DO NOT wear robes or other clothing that could become caught in the machine. Running or aerobic shoes are also required when using the machine.
7. Use the machine only for its intended use as described in this manual. DO NOT use attachments not recommended by the manufacturer.
8. Do not place any sharp object around the machine.
9. Disabled person should not use the machine without a qualified person or physician in attendance.
10. Before using the machine to exercise, always do stretching exercises to properly warm up.
11. Never operate the machine if the machine is not functioning properly.
12. A spotter is recommended during exercise.

CARE AND MAINTENANCE

1. Lubricate moving parts with WD-40 or light oil periodically.
2. Inspect and tighten all parts before using the machine.
3. The machine can be cleaned using a damp cloth and mild non-abrasive detergent. DO NOT use solvents.
4. Maximum user's weight: 300 lbs.

WARNING: BEFORE BEGINNING ANY EXERCISE PROGRAM, CONSULT YOUR PHYSICIAN. THIS IS ESPECIALLY IMPORTANT FOR INDIVIDUALS OVER THE AGE OF 35 OR PERSONS WITH PRE-EXISTING HEALTH PROBLEMS. READ ALL INSTRUCTIONS BEFORE USING ANY FITNESS EQUIPMENT. IMPEX INC. ASSUMES NO RESPONSIBILITY FOR PERSONAL INJURY OR PROPERTY DAMAGE SUSTAINED BY OR THROUGH THE USE OF THIS PRODUCT. SAVE THESE INSTRUCTIONS.

WARNING LABEL PLACEMENT



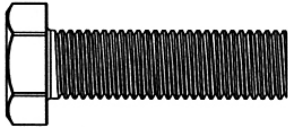
The Warning Label shown here has been placed on the Rear Base Frame. If the label is missing or illegible, please call customer service at 1-800-999-8899 for replacement. Apply the label in location shown.

HARDWARE IDENTIFIER

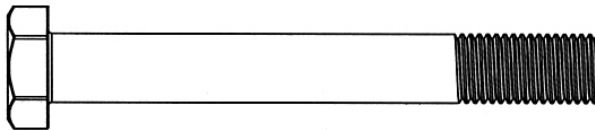
NOTE: The following parts are not drawn to scale. Please use your own ruler to measure the size.



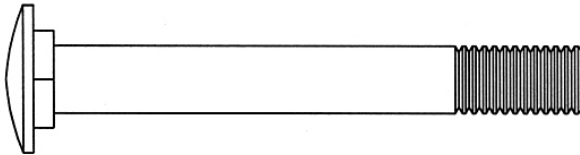
#21 ST3.5 Self Taping Screw (Qty 4)



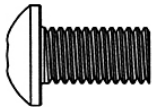
#22 M10 x 1 $\frac{5}{8}$ " Hex Bolt (Qty 2)



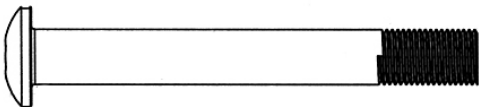
#23 M10 x 3 $\frac{1}{8}$ " Hex Bolt (Qty 8)



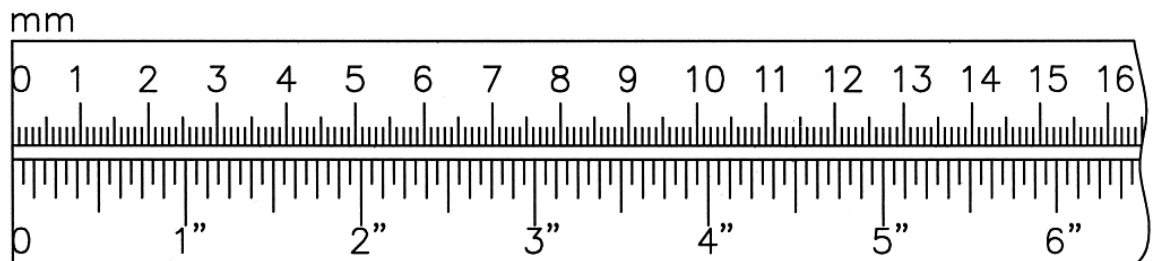
#24 M10 x 3 $\frac{1}{8}$ " Carriage Bolt (Qty 2)



#25 M8 x $\frac{5}{8}$ " Allen Bolt (Qty 2)

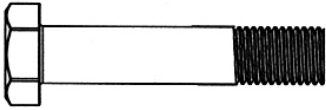


#26 M8 x 2 $\frac{1}{2}$ " Allen Bolt (Qty 4)

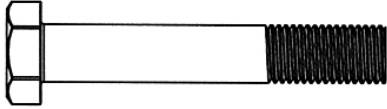


HARDWARE IDENTIFIER

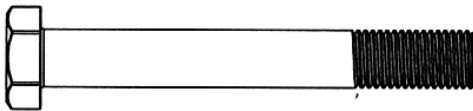
NOTE: The following parts are not drawn to scale. Please use your own ruler to measure the size.



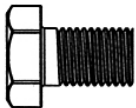
#27 M10 x 2" Hex Bolt (Qty 2)



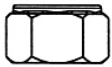
#28 M10 x 2 3/8" Hex Bolt (Qty 2)



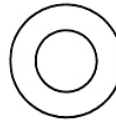
#29 M10 x 3" Hex Bolt (Qty 4)



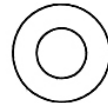
#30 M10 x 5/8" Hex Bolt (Qty 2)



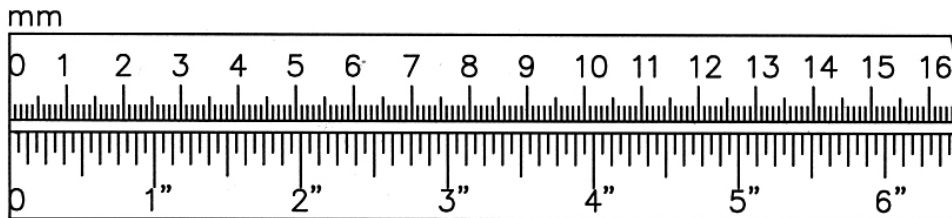
#32 M10 Aircraft Nut
(Qty 16)



#34 Ø 3/4" Washer
(Qty 36)



#35 Ø 5/8" Washer
(Qty 6)



ASSEMBLY INSTRUCTION

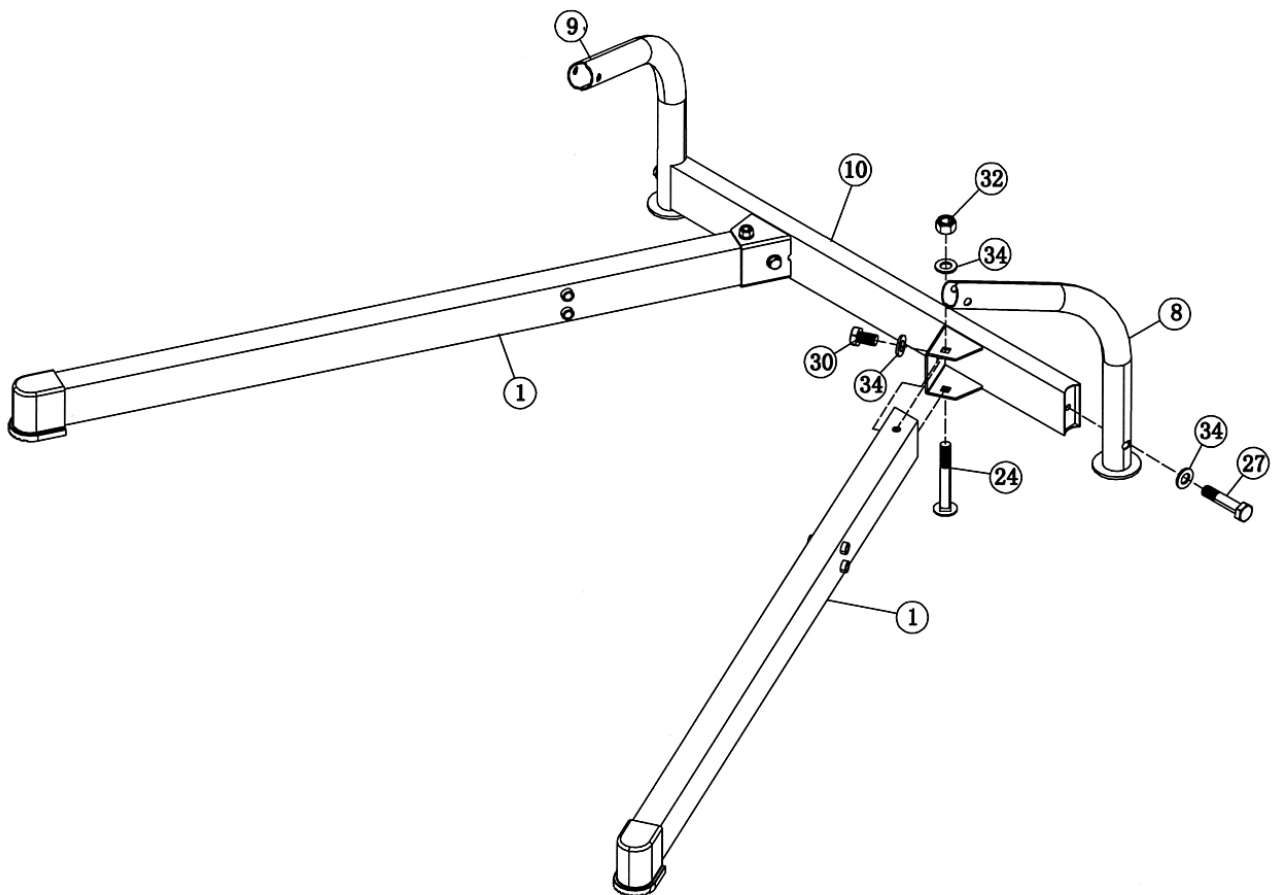
Tools Required for Assembling the Machine: Two Adjustable Wrenches and Allen Wrenches.

NOTE: It is strongly recommended that two or more people assemble this machine to avoid possible injury.

STEP 1 (See Diagram 1)

- A.) **Do not tighten Nuts and Bolts until instructed to do so.**
- B.) Attach one Base Frame (#1) to the Rear Base Frame (#10). Secure it with one M10 x 3 1/8" Carriage Bolt (#24), one $\text{\O} \frac{3}{4}$ " Washer (#34), and one M10 Aircraft Nut (#32) from bottom. Secure it with one M10 x 5/8" Hex Bolt (#30) and one $\text{\O} \frac{3}{4}$ " Washer (#34) from side.
- C.) Attach the Left Rear Support (#8) to the left end of Rear Base Frame. Secure it with one M10 x 2" Hex Bolt (#27) and one $\text{\O} \frac{3}{4}$ " Washer (#34).
- D.) Repeat B & C to install the other Base Frame and the Right Rear Support (#9) to the Rear Base Frame.

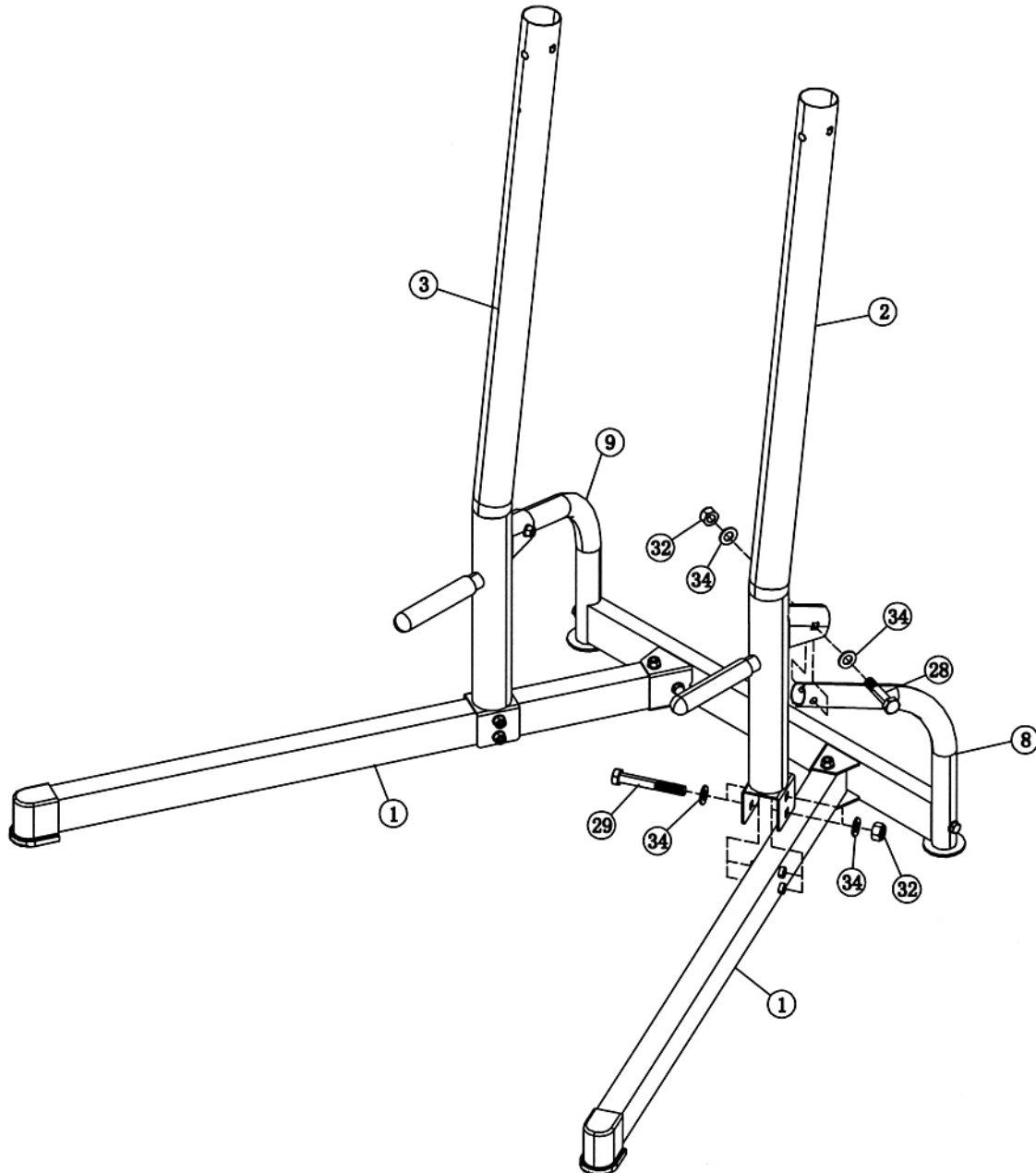
DIAGRAM 1



STEP 2 (See Diagram 2)

- A.) **Do not tighten Nuts and Bolts until instructed to do so.**
- B.) Attach the Left Upright Beam (#2) onto the left Base Frame (#1). Secure it with two M10 x 3" Hex Bolts (#29), four Ø 3/4" Washers (#34), and two M10 Aircraft Nuts (#32).
- C.) Attach the bracket on Left Upright Beam to Left Rear Support (#8). Secure it with one M10 x 2 3/8" Hex Bolt (#28), two Ø 3/4" Washers (#34), and one M10 Aircraft Nut (#32).
- D.) Repeat B & C to install the Right Upright Beam (#3).
- E.) **Securely tighten all Nuts and Bolts in Step-1 and Step-2.**

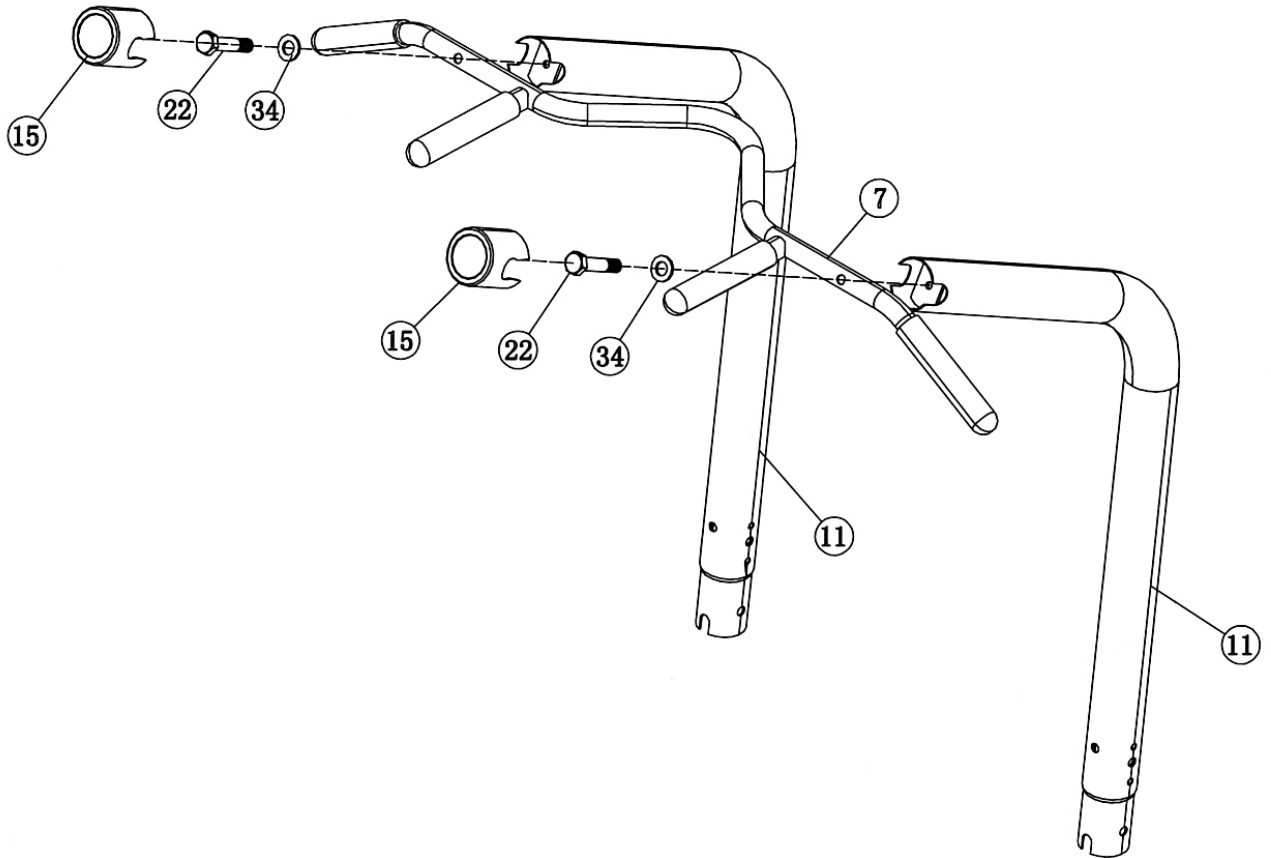
DIAGRAM 2



STEP 3 (See Diagram 3)

- A.) Attach the Chin-up Bar (#7) to the two Upper Uprights (#11). Secure them together with two M10 x 1 5/8" Hex Bolts (#22) and two Ø 3/4" Washers (#34).
- B.) Cover the Hex Bolts with two Chin-up Covers (#15).

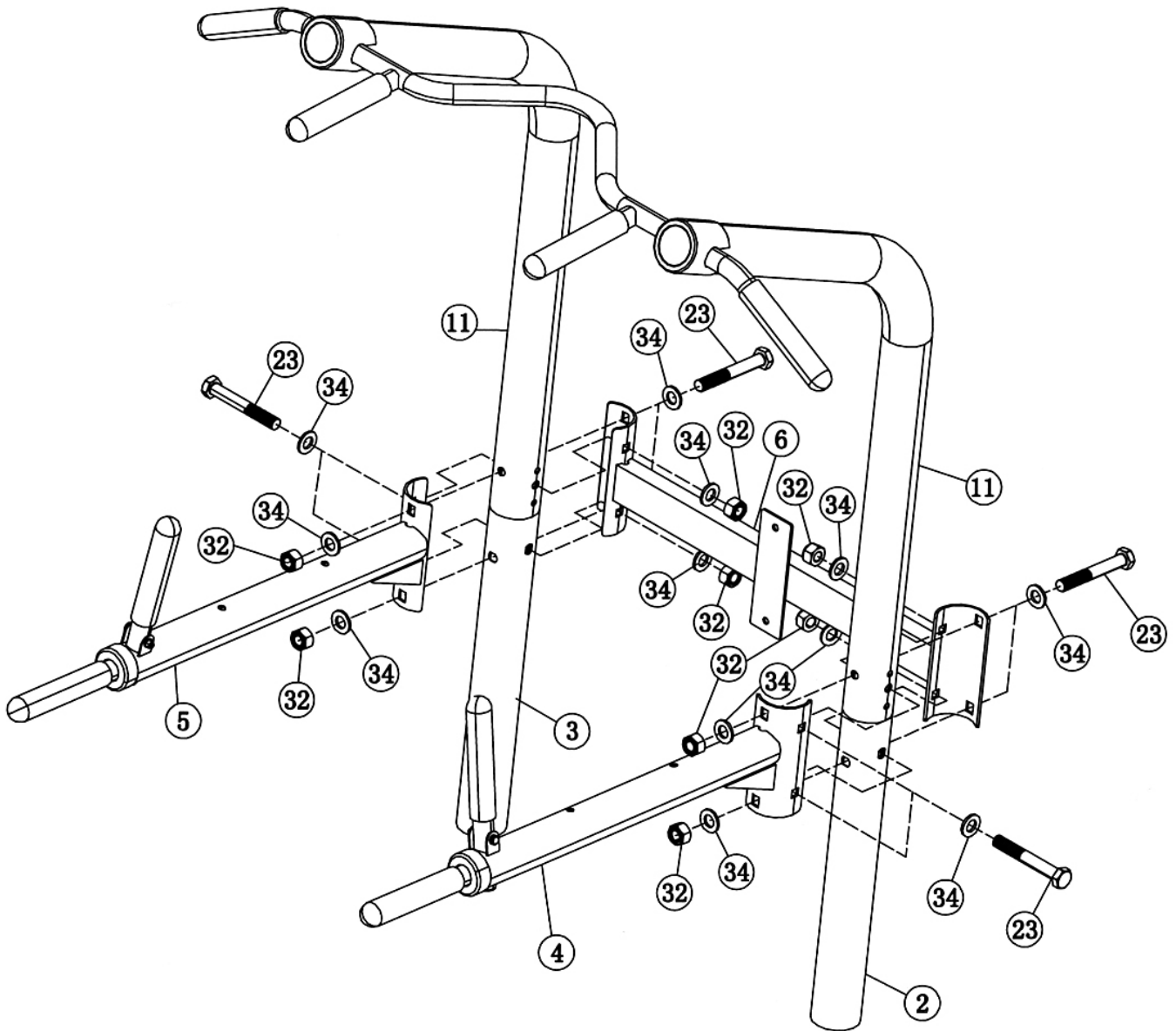
DIAGRAM 3



STEP 4 (See Diagram 4)

- A.) Attach the two Upper Uprights (#11) onto Left & Right Upright Beam (#2 & #3).
- B.) Attach the Left Arm Support (#4) to the left Upper Upright and Left Upright Beam from front. Attach the Backrest Support Frame (#6) to the left Upper Upright and Left Upright Beam from Rear.
- C.) Secure Backrest Support Frame, the left Upper Upright, Left Upright Beam, and Left Arm Support together with four M10 x 3 1/8" Hex Bolts (#23), eight Ø 3/4" Washers (#34), and four M10 Aircraft Nuts (#32).
- D.) Repeat B & C to install the Right Arm Support (#5).

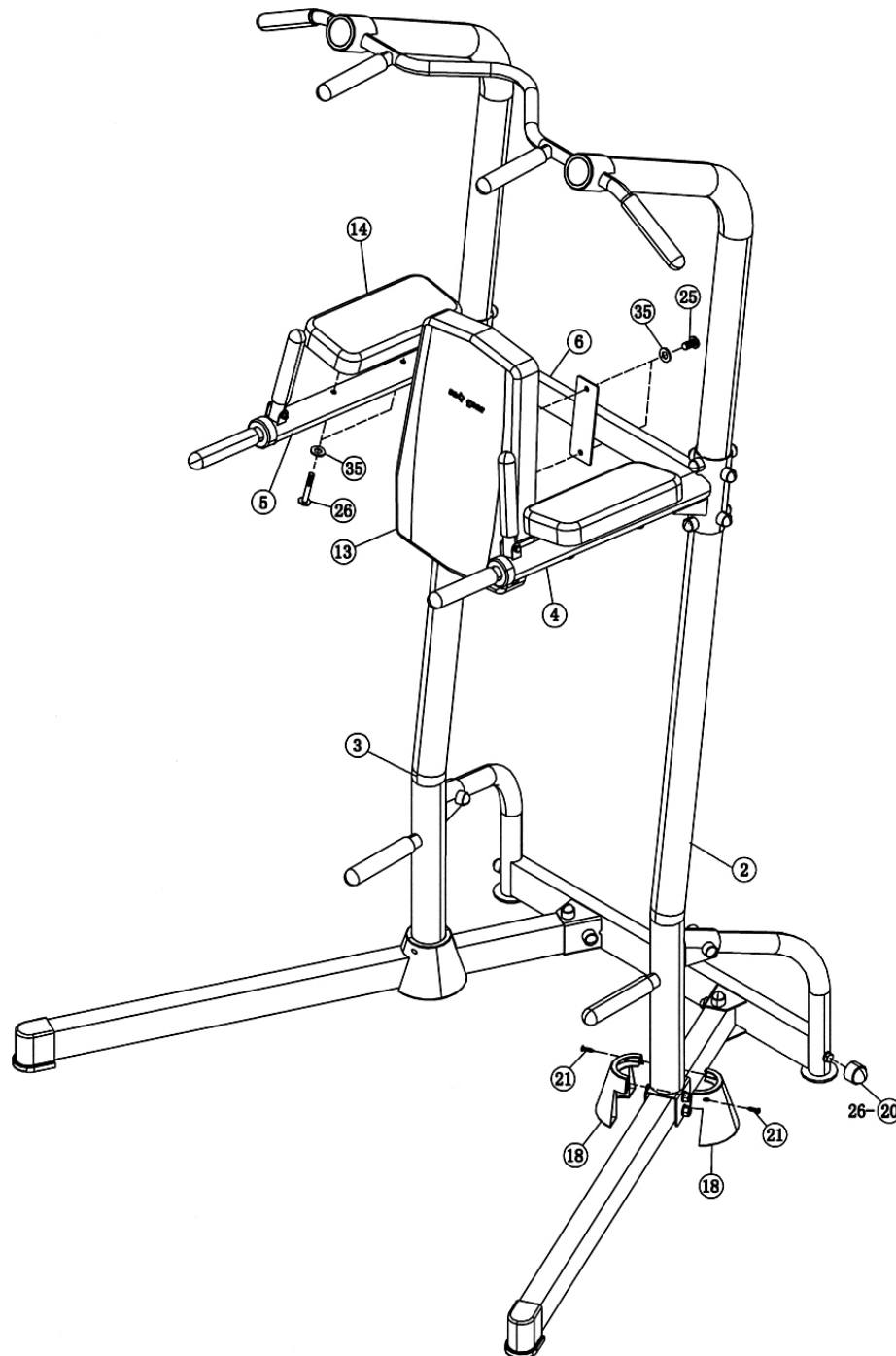
DIAGRAM 4



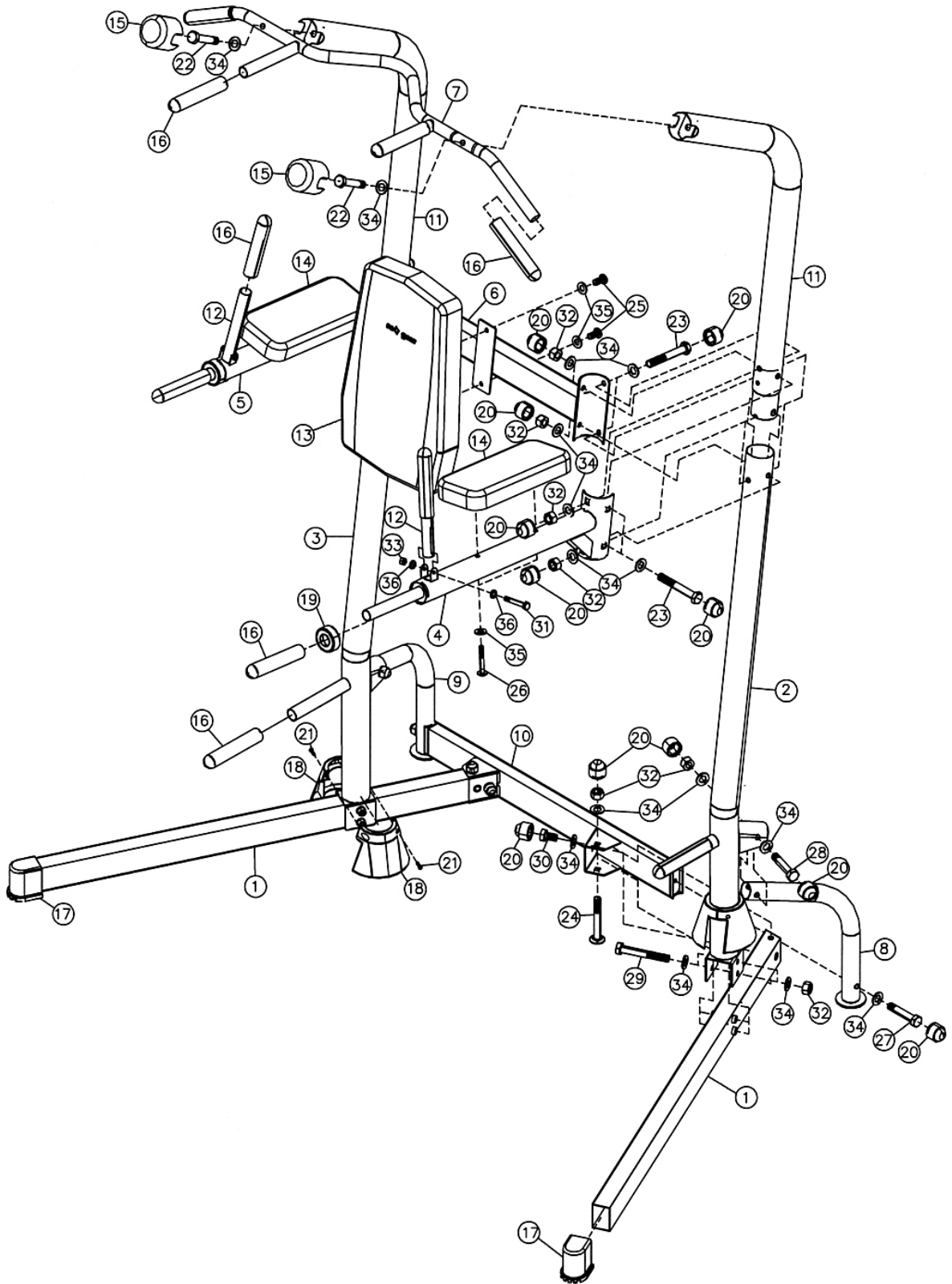
STEP 5 (See Diagram 5)

- A.) Attach the Backrest Board (#13) to the Backrest Support Frame (#6). Secure it with two M8 x 5/8" Allen Bolts (#25) and two Ø 5/8" Washers (#35).
- B.) Attach two Arm Pads (#14) to Left & Right Arm Support (#4 & #5). Secure each Arm Pad with two M8 x 2 1/2" Allen Bolts (#26) and two Ø 5/8" Washers (#35).
- C.) Attach four Upright Base Covers (#18) to the base of Left & Right Upright Beam (#2 & #3). Secure each Cover with one ST3.5 Self Taping Screw (#21).
- D.) Use twenty-six Bolt Cover Caps (#20) to cover all Bolts installed.

DIAGRAM 5



EXPLODED DIAGRAM



PARTS LIST

KEY NO.	DESCRIPTION	QUANTITY
1	Base Frame	2
2	Left Upright Beam	1
3	Right Upright Beam	1
4	Left Arm Support	1
5	Right Arm Support	1
6	Backrest Support Frame	1
7	Chin-up Bar	1
8	Left Rear Support	1
9	Right Rear Support	1
10	Rear Base Frame	1
11	Upper Upright	2
12	Dip Handle	2
13	Backrest Board	1
14	Arm Pad	2
15	Chin-up Cover	2
16	2 ½" Handle Grip	10
17	Base Frame End Cap	2
18	Upright Base Cover	4
19	Sleeve	2
20	Bolt Cover Cap	26
21	ST3.5 Self Taping Screw	4
22	M10 x 1 5/8" Hex Bolt	2
23	M10 x 3 1/8" Hex Bolt	8
24	M10 x 3 1/8" Carriage Bolt	2
25	M8 x 5/8" Allen Bolt	2
26	M8 x 2 ½" Allen Bolt	4
27	M10 x 2" Hex Bolt	2
28	M10 x 2 3/8" Hex Bolt	2
29	M10 x 3" Hex Bolt	4
30	M10 x 5/8" Hex Bolt	2
31	M6 x 1 5/8" Hex Bolt	2
32	M10 Aircraft Nut	16
33	M6 Aircraft Nut	2
34	Ø ¾" Washer	36
35	Ø 5/8" Washer	6
36	Ø ½" Washer	4
	5# Allen Wrench (Tool)	1

IMPEX[®] INC.

LIMITED WARRANTY

IMPEX Inc. ("IMPEX[®]") warrants this product to be free from defects in workmanship and material, under normal use and service conditions, for a period of two years on the Frame from the date of purchase. This warranty extends only to the original purchaser. IMPEX's obligation under this Warranty is limited to replacing or repairing, at IMPEX's option.

All returns must be pre-authorized by IMPEX. Pre-authorization may be obtained by calling IMPEX Customer Service Department at 1-800-999-8899. All freights for products return to IMPEX must be prepaid by the customer. This warranty does not extend to any product or damage to a product caused by or attributable to freight damage, abuse, misuse, improper or abnormal usage or repairs not provided by an IMPEX authorized service center or for products used for commercial or rental purposes. No other warranty beyond that specifically set forth above is authorized by IMPEX.

IMPEX is not responsible or liable for indirect, special or consequential damages arising out of or in connection with the use or performance of the product or other damages with respect to any economic loss, loss of property, loss of revenues or profits, loss of enjoyments or use, costs of removal, installation or other consequential damages or whatsoever natures. Some states do not allow the exclusion or limitation of incidental or consequential damages. Accordingly, the above limitation may not apply to you.

The warranty extended hereunder is in lieu of any and all other warranties and any implied warranties of merchantability or fitness for a particular purpose is limited in its scope and duration to the terms set forth herein. Some states do not allow limitations on how long an implied warranty lasts. Accordingly, the above limitation may not apply to you.

This warranty gives you specific legal right. You may also have other rights which vary from state to state. **Register on-line www.impex-fitness.com**

**IMPEX[®] INC.
2801 S. Towne Ave.
Pomona, CA 91766**

ORDERING REPLACEMENT PARTS

Replacement parts can be ordered by calling our Customer Service Department toll-free at **1-800-999-8899** during our regular business hours: Monday through Friday, 9 am until 5 pm Pacific standard time. **info@impex-fitness.com**

When ordering replacement parts, always give the following information.

1. Model
2. Description of Parts
3. Part Number
4. Date of Purchase